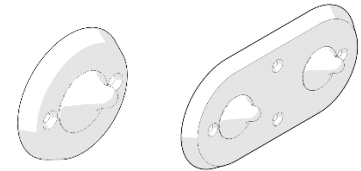


GalvinCare[®] Anti-Ligature Robe/Towel Hooks

PRODUCT CODES:

- THK-01 (Single Robe/Towel Hook)
- THK-02 (Double Robe/Towel Hook)



SPECIFICATIONS

- The GalvinCare[®] coat and towel holder has a flexible rubber hook which is fixed within a stainless steel surround and has a low load release threshold. Made from a low shore rating rubber with a high silicone and fixed by two or four security torx screws that pass through both the stainless steel surround and the rubber.
- Designed for garment and towels up to 6 kg in weight secured using a minimum of two security screws and varies according to product code.

TECHNICAL DATA

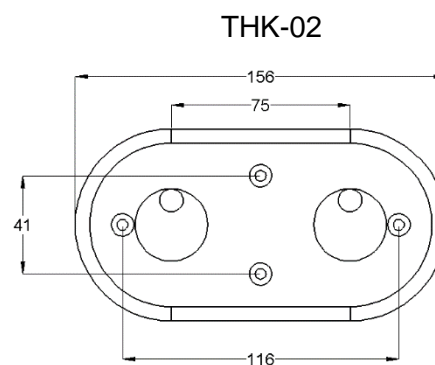
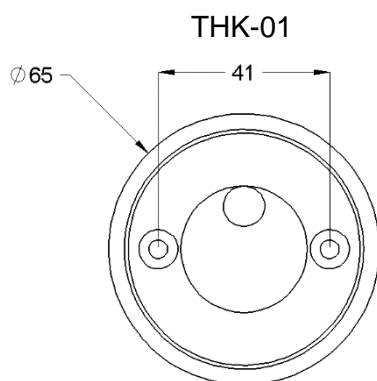
Fixings:	Template for marking and security screws (quantity varies with code) are supplied
Finish:	Stainless Steel

NOTE: Galvin Specialised continually strive to improve their products. Specifications may change without notice.

MOUNTING DETAILS

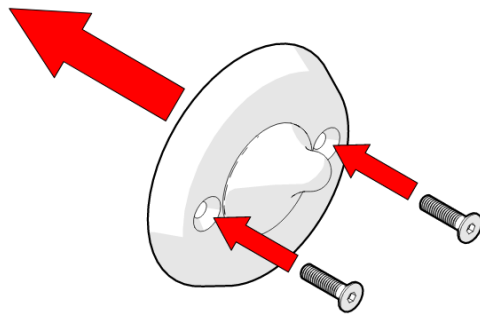


Warning: Robe/Towel hooks must be fitted to a solid wall or other firm surface and installed by a qualified trades person.

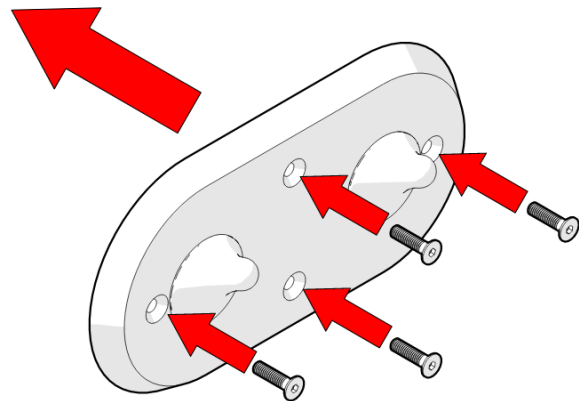


- Mark out the two or four fixing holes using the template provided
- Drill all fixing holes using suitable wall plugs (not supplied) where necessary
- Secure in place using the two or four security screws provided

MOUNTING



THK-01



THK-02

- Mark out the two or four fixing holes using the template provided
- Drill all fixing holes using suitable wall plugs (not supplied) where necessary
- Secure in place using the two or four security screws provided

WARRANTY

The warranty set forth herein is given expressly and is the only warranty given by the Galvin Engineering Pty Ltd. With respect to the product, Galvin Engineering Pty Ltd makes no other warranties, express or implied. Galvin Engineering Pty. Ltd. hereby specifically disclaims all other warranties, express or implied, including but not limited to the implied warranties of merchantability and fitness for a particular purpose.

Galvin Engineering Pty Ltd products are covered under our manufacturer's warranty available for download from www.galvinengineering.com.au Galvin Engineering Pty Ltd expressly warrants that the product is free from operational defects in workmanship and materials for the warranty period as shown on the schedule in the manufacturer's warranty. During the warranty period, Galvin Engineering will replace or repair any defective products manufactured by Galvin Engineering without charge, so long as the terms of the Manufacturer's warranty are complied with.

The remedy described in the first paragraph of this warranty shall constitute the sole and exclusive remedy for breach of warranty, and Galvin Engineering Pty Ltd shall not be responsible for any incidental, special or consequential damages, including without limitation, lost profits or the cost of repairing or replacing other property which is damaged if this product does not work properly, other costs resulting from labour charges, delays, vandalism, negligence, fouling caused by foreign material, damage from adverse water conditions, chemical, electrical or any other circumstances over which Galvin Engineering has no control. This warranty shall be invalidated by any abuse, misuse, misapplication, improper installation or improper maintenance or alteration of the product.